

FENTON 2026 MODEL YEAR Access MAX RAM 2500 PROMASTER WINDOW VAN 159" WHEELBASE HIGH ROOF

THIS UPFIT AND MOBILITY CONVERSION IS MANUFACTURED TO MEET SPECIFIC UNITED STATES REQUIREMENTS. THIS VEHICLE IS NOT MANUFACTURED FOR SALE OR REGISTRATION OUTSIDE OF THE UNITED STATES.

MANUFACTURER'S SUGGESTED REAIL PRICE OF THIS MODEL INCLUDING DEALER PREPARATION

Base Price Including RAM 2500 Promaster Window Van 159

\$103,260

UPFIT & MOBILITY CONVERSION

Manor Oak Flooring with Blackout Trim Package
ProMaster Interior Kit – Two Tone Dark Slate/Light Greystone
Owens Corning R-13 Faced Fiberglass Insulation
Twin Air/Heat Combo Unit – 23,000 BTU Cool
Twin/Air Heat Combo Unit – 29,000 BTU Heat w/Heat Pump for High Performance at Idle

Braun Century Series 2 Wheelchair Lift
34" x 54" Platform
1,000lb. Lifting Capacity

ProMaster Interlock
Braun Lift Attached Grab Bar

Shift-N-Step with Blackout Package
Dual Access Lift Kit for Ram Promaster
Photo Electric Eye Kit
Rear Barrier with Blackout Package

ProMaster Driver Side Shoulder Bracket with Blackout Package

Rear Seating

(3) Eleganza Trieste Reclining Seat in Milano Black Vinyl with Heated Seat Package
Heated Seat Package
Recline
3PT Belts
Right Hand Lever Lock
CRS Hooks
Streetside Shoulder Belt
Dual Arm Rests
Diamond Stitch
Contrasting Silver
19" Wide Cushion
Milano Black
Fenton Logo
Auto Locking Retractor
Emergency Locking Retractor
(2) Seat Base Trim with Blackout Package

(1) Double Bellagio Foldaway – Optional Equipment

SS Eleganza 2PL Bellagio
2 Place Double Fold
Street Side Shoulder Belt
US Arm on Right
Panel Stitch
Matching Stitch
Vinyl Map Pockets
Both CRS
Auto Locking Retractor (ALR)
Emergency Locking Retractor (ELR)
Milano Black
Double Fold Away Trim Kit
FREEDMAN DFA TRIM PACK
Plastic Sheet 4x8x 1/8 ABS BLK
3/4 GM TRIM PANEL RET
Diamond Stitch
Contrasting Silver
Fenton Logo
FREEDMAN DFA TRIM STICKER PACK

(1) Fenton Mounting Plate – Optional Equipment

Front Seating
Driver and Passenger Vinyl Covers with Diamond Stitch, Fenton Logo, in Milano Black Vinyl
Driver Side Seat Trim with Blackout Package
Driver Side Running Board with Blackout Package and Grip
Cargo Side Running Board with Blackout Package and Grip
(5) USB Charging Stations
(4) Cupholders
(2) Sharpline Logos

OPTIONAL EQUIPMENT **\$4,795**

TOTAL PRICE: * \$108,055

*Does not include Destination Charge from Final stage Manufacturer to Mobility Dealer

EXCLUSIVE FENTON Q PRO PROGRAM WARRANTY

5 YEAR/100,000 MILE - POWERTRAIN

3 YEAR/36,000 MILE - BUMPER TO BUMPER

3 YEAR/UNLIMITED MILE - FENTON SHIFT-N-STEP

3 YEAR/UNLIMITED MILE - BRAUN WHEELCHAIR LIFT

3 YEAR/36,000 MILE - AIR CONDITIONING & HEATING

FENTON WARRANTY COVERAGE ON UPFIT

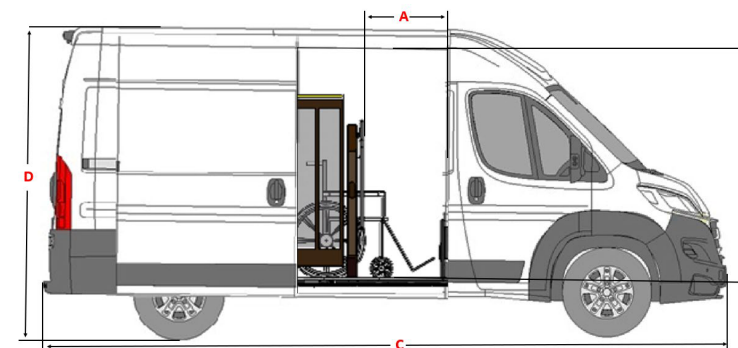
Anything not specified under manufacturer's warranty

1 YEAR/12,000 MILE

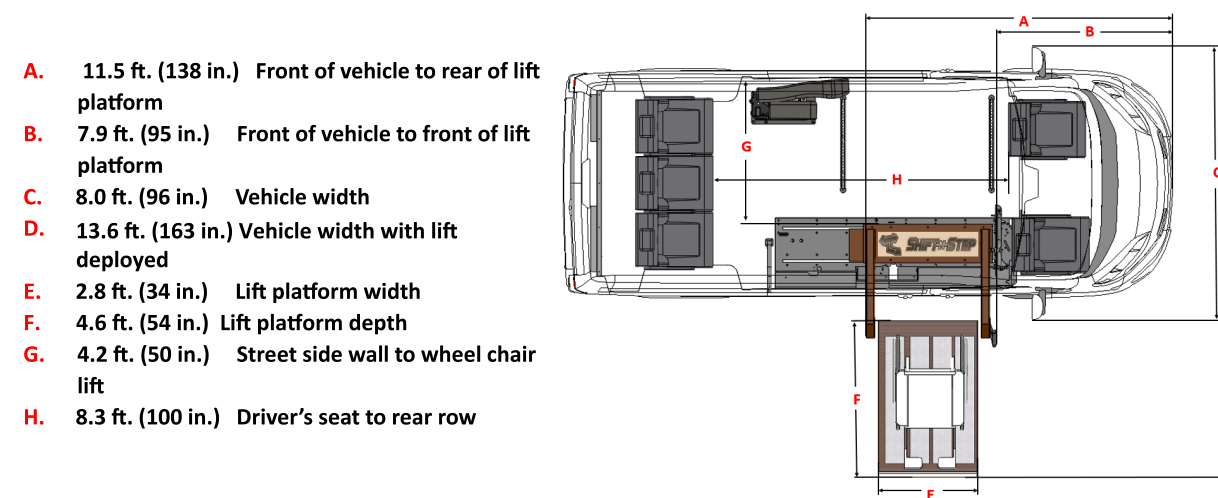
Dimensions and drawings are for reference only and are subject to change. Actual dimensions and drawings may vary. Upfitter reserves the right to make any modifications and/or changes at any time for any reason.

All warranties implied are at the sole discretion of Fenton Mobility. Warranties are parts and specified labor.

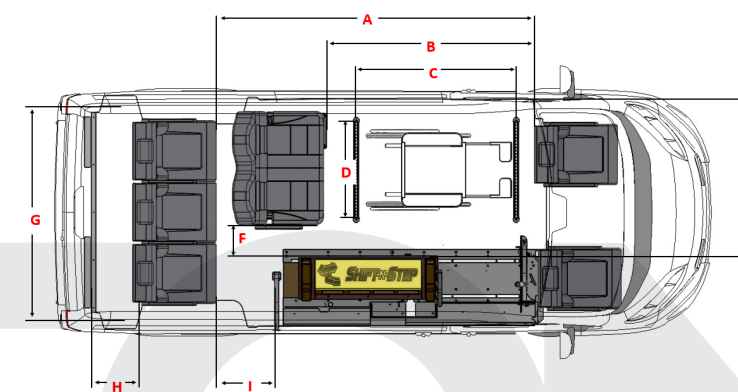
STATE AND /OR LOCAL TAXES IF ANY, LICENSE AND TITLE FEES AND DEALER SUPPLIED AND INSTALLED OPTIONS AND ACCESSORIES ARE NOT INCLUDED IN THIS PIECE. DISCOUNT, IF ANY, IS BASED ON PRICE OF OPTIONS IF PURCHASED SEPARATELY.



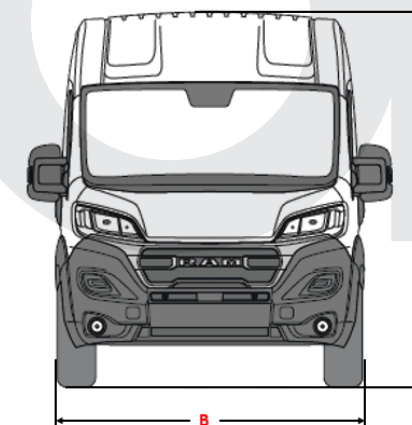
- A. 2.4 ft. (28.5 in.) Door opening width with SHIFT-N-STEP in stowed position
- B. 5.6 ft. (67 in.) Door height opening
- C. 17.75 ft. (213 in.) Vehicle length
- D. 8.3 ft. (100 in.) Vehicle height



- A. 11.5 ft. (138 in.) Front of vehicle to rear of lift platform
- B. 7.9 ft. (95 in.) Front of vehicle to front of lift platform
- C. 8.0 ft. (96 in.) Vehicle width
- D. 13.6 ft. (163 in.) Vehicle width with lift deployed
- E. 2.8 ft. (34 in.) Lift platform width
- F. 4.6 ft. (54 in.) Lift platform depth
- G. 4.2 ft. (50 in.) Street side wall to wheel chair lift
- H. 8.3 ft. (100 in.) Driver's seat to rear row



- A. 8.3 ft. (100 in.) - Driver's seat to rear row
- B. 5.5 ft. (66 in.) - Driver's seat to double foldaway
- C. 4.08 ft. (49 in.) - Wheel chair station length
- D. 3.0 ft. (36 in.) - Wheel chair station width
- E. 4.16 ft. (50 in.) - Street side wall to wheel chair lift
- F. 1.0 ft. (12 in.) - Wheel chair lift to double foldaway aisle
- G. 6.0 ft. (72 in.) - Cargo area width
- H. 1.3 ft. (16 in.) - Cargo area depth
- I. 1.3 ft. (16 in.) - Rear row to rear barrier



- A. 8.3 ft. (100 in.) Vehicle height
- B. 6.6 ft. (79.7 in.) Vehicle wheel width