

FENTON 2025 MODEL YEAR FORD TRANSIT 350 MR PASS XLT AWD Access MAX 148" WHEELBASE

THIS UPFIT AND MOBILITY CONVERSION IS MANUFACTURED TO MEET SPECIFIC UNITED STATES REQUIREMENTS. THIS VEHICLE IS NOT MANUFACTURED FOR SALE OR REGISTRATION OUTSIDE OF THE UNITED STATES.

MANUFACTURER'S SUGGESTED RETAIL PRICE OF THIS MODEL INCLUDING DEALER PREPARATION

Base Price Including Ford Transit T350 Window Van

\$112,995

UPFIT & MOBILITY CONVERSION

WeatherTech® Mud Flaps
Added Class 3 Receiver Hitch*

*For towing capacity guidelines see Ford Pro Towing Guidelines.
Manor Oak Flooring with Blackout Trim Package
Owens Corning R-13 Faced Fiberglass Insulation
Heating Ducts to Replicate OEM In-Floor Heat

Braun Century Series 2 Wheelchair Lift

34" x 51" Platform
800lb. Lifting Capacity
Ford Transit Interlock
Braun Lift Attached Grab Bar

Shift-N-Step with Blackout Package

Dual Access Lift Kit for Ford Transit
Photo Electric Eye Kit
Rear Barrier with Blackout Package

Ford Transit Driver Side Shoulder Bracket with Blackout Package

REAR SEATING

(1) Triple Bench
Heated Seat Package
Recline
3PT Belts
CRS Hooks
Streetside Shoulder Belt
Aisle Side Arm Rests
Diamond Stitch
Contrasting Silver
Fenton logo
Auto Locking Retractor
Emergency Locking Retractor
(2) Seat Base Trim with Blackout Package

(1) Double Bench – Optional Equipment

Heated Seat Package
Recline
3PT Belts
CRS Hooks
Streetside Shoulder Belt
Aisle Side Arm Rests
Diamond Stitch
Contrasting Silver
Fenton logo
Auto Locking Retractor
Emergency Locking Retractor
(2) Seat Base Trim with Blackout Package

FRONT SEATING

Driver and Passenger Heated Seats with Black Vinyl Covers with Diamond Stitch and Fenton Logo

Driver Side Running Board with Blackout Package and Grip
Cargo Side Running Board with Blackout Package and Grip

(2) Sharpline Logos

TOTAL PRICE: *\$112,995

*Does not include Destination Charge from Final stage Manufacturer to Mobility Dealer

5 YEAR/60,000 MILE - POWERTRAIN

3 YEAR/36,000 MILE - BUMPER TO BUMPER

3 YEAR/UNLIMITED MILE - FENTON SHIFT-N-STEP

3 YEAR/UNLIMITED MILE - BRAUN WHEELCHAIR LIFT

FENTON WARRANTY COVERAGE ON UPFIT

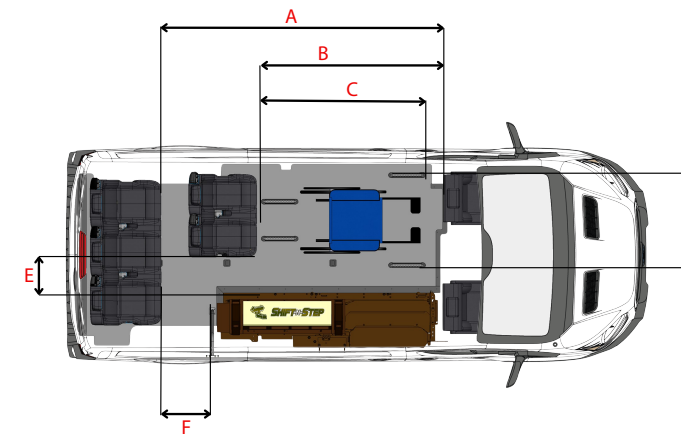
Anything not specified under manufacturer's warranty

1 YEAR/12,000 MILE

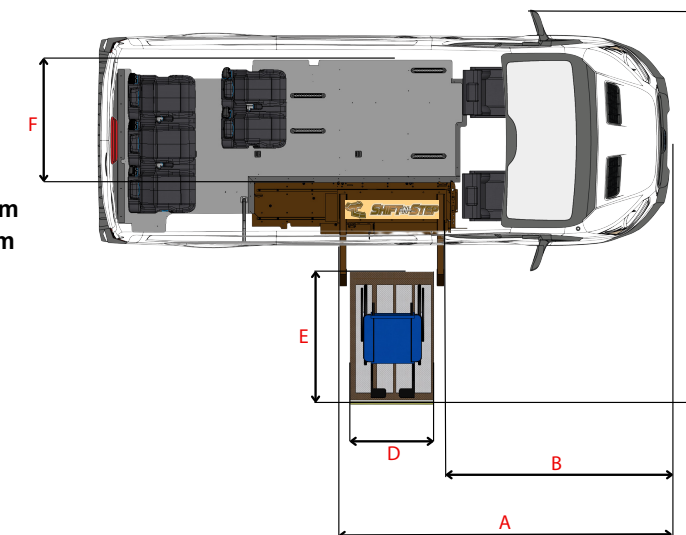
Dimensions and drawings are for reference only and are subject to change. Actual dimensions and drawings may vary. Upfitter reserves the right to make any modifications and/or changes at any time for any reason.

All warranties implied are at the sole discretion of Fenton Mobility. Warranties are parts and specified labor.

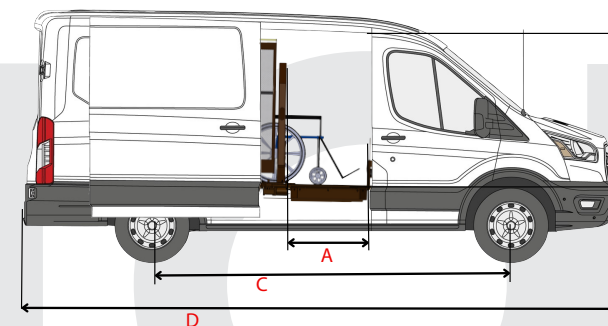
STATE AND /OR LOCAL TAXES IF ANY, LICENSE AND TITLE FEES AND DEALER SUPPLIED AND INSTALLED OPTIONS AND ACCESSORIES ARE NOT INCLUDED IN THIS PIECE. DISCOUNT, IF ANY, IS BASED ON PRICE OF OPTIONS IF PURCHASED SEPARATELY.



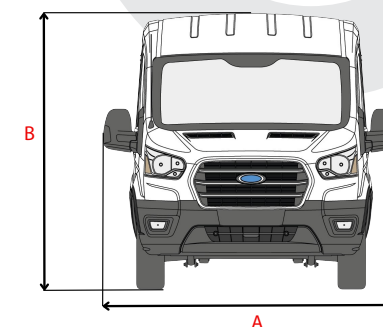
- A. 8.3 ft. (106 in.) - Driver's seat to rear row
- B. 5.8 ft. (70 in.) - Driver's seat to front row
- C. 4.8 ft. (58 in.) - Wheel chair station length
- D. 2.8 ft. (34 in.) - Wheel chair station width
- E. 1.125 ft. (13.5 in.) - Wheel chair lift to front row
- F. 1.4 ft. (17 in.) - Rear barrier to rear row



- A. 11.4 ft. (137 in.) - Front of vehicle to rear of lift platform
- B. 7.8 ft. (94 in.) - Front of vehicle to front of lift platform
- C. 13.2 ft. (158 in.) - Vehicle width with lift deployed
- D. 2.8 ft. (34 in.) - Lift platform width
- E. 4.25 ft. (51 in.) - Lift platform depth
- F. 4 ft. (48 in.) - Street side wall to wheel chair lift



- A. 2.4 ft. (28.5 in.) - Shift-N-Step stowed door opening
- B. 5.0 ft. (61 in.) - Door height opening
- C. 12.3 ft. (148 in.) - Vehicle wheel base
- D. 19.4 ft. (233 in.) - Vehicle length



- A. 6.7 ft. (80.5 in.) - Vehicle width
- B. 8.44 ft. (101.3 in.) - Vehicle height

