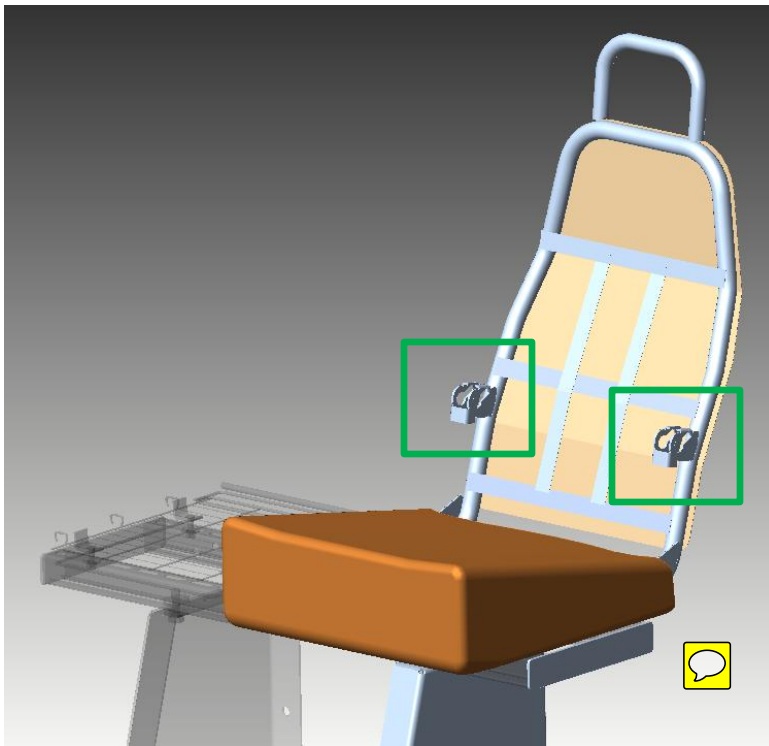


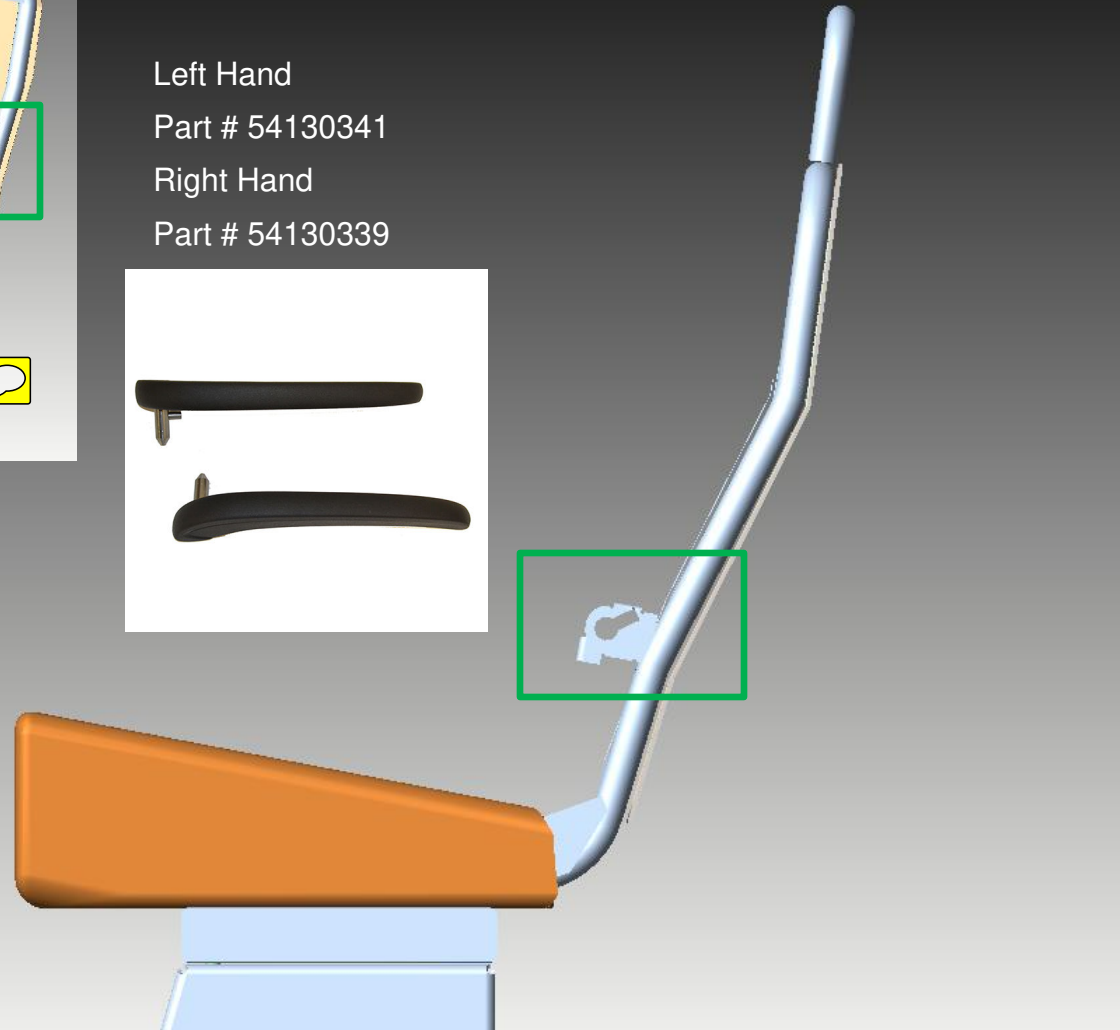
The frame of your seat has a support on each side for armrests located approximately 9" from the bottom of the seat.



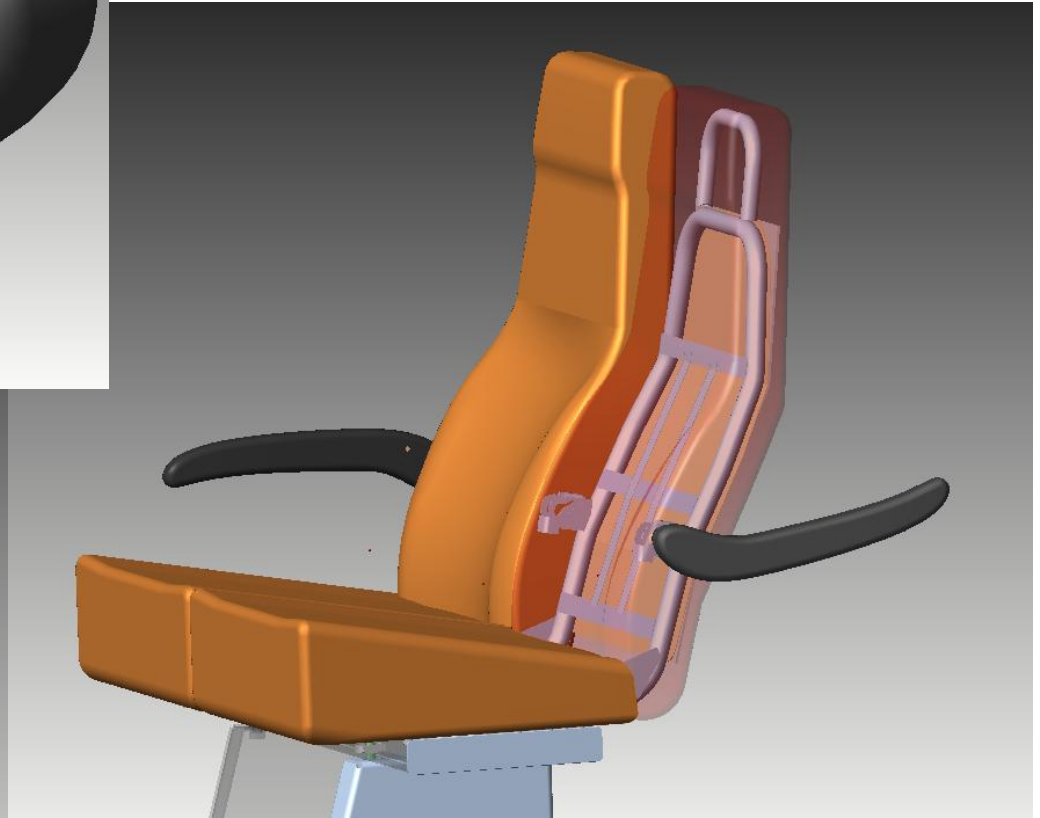
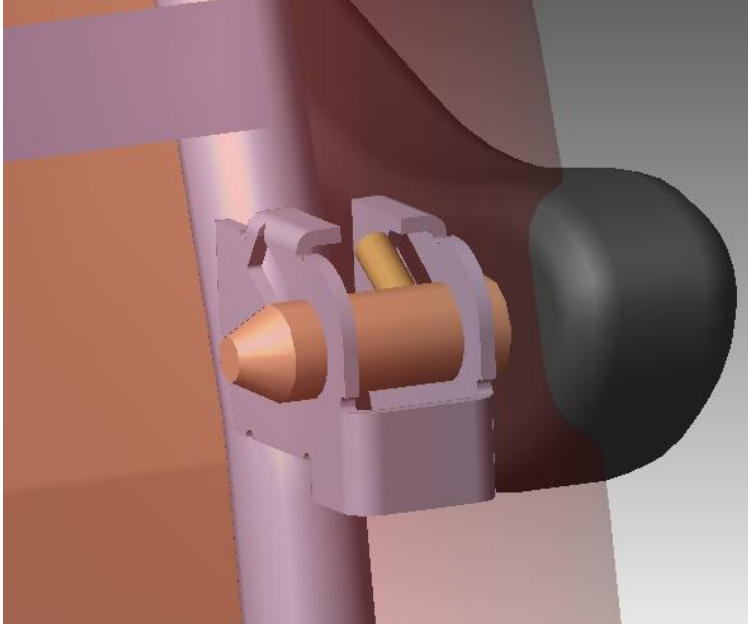
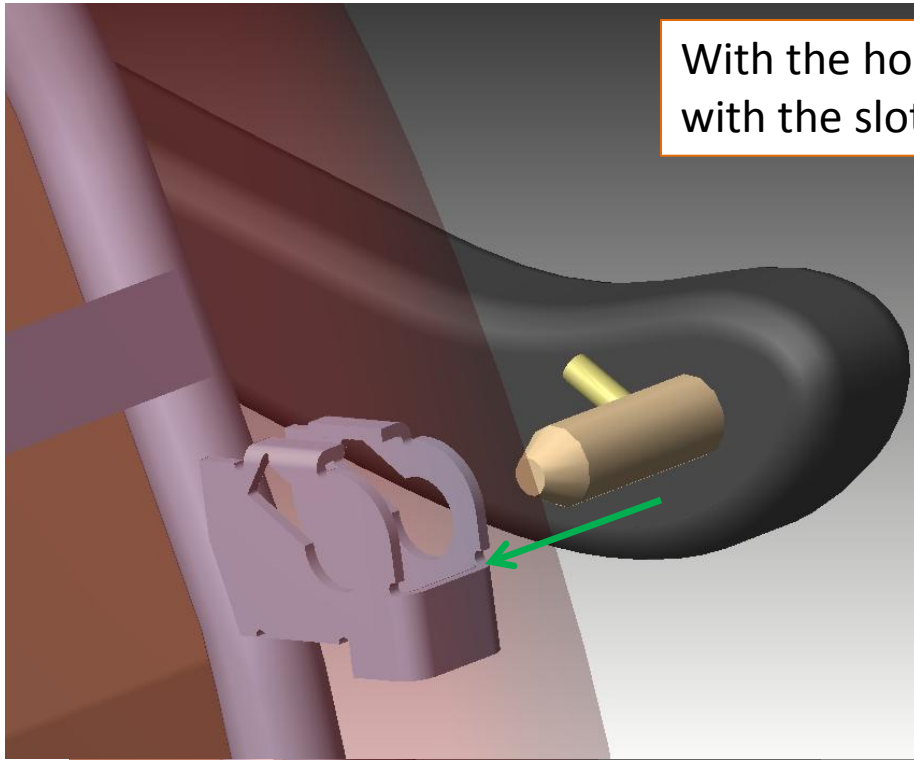
Left Hand  
Part # 54130341  
Right Hand  
Part # 54130339



To access this support, press into the side of the seat cover until you find it. Then cut a hole through the cover and foam.



With the hole large enough, align the arm hinge with the slot in the support and insert it into the support.



With the arm aligned and inserted, press in firmly and rotate the arm upwards and towards the front of the seat to lock it into position.

