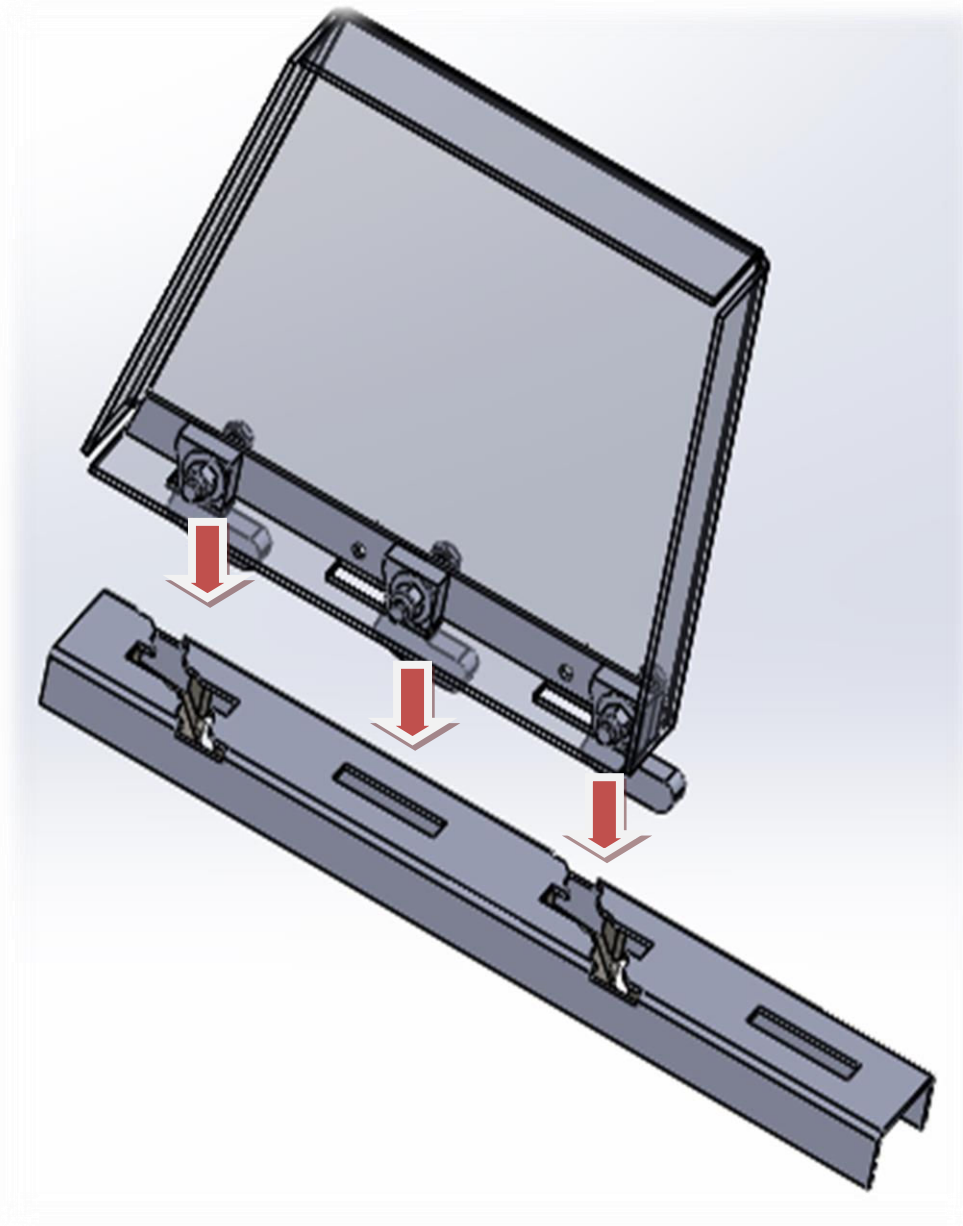




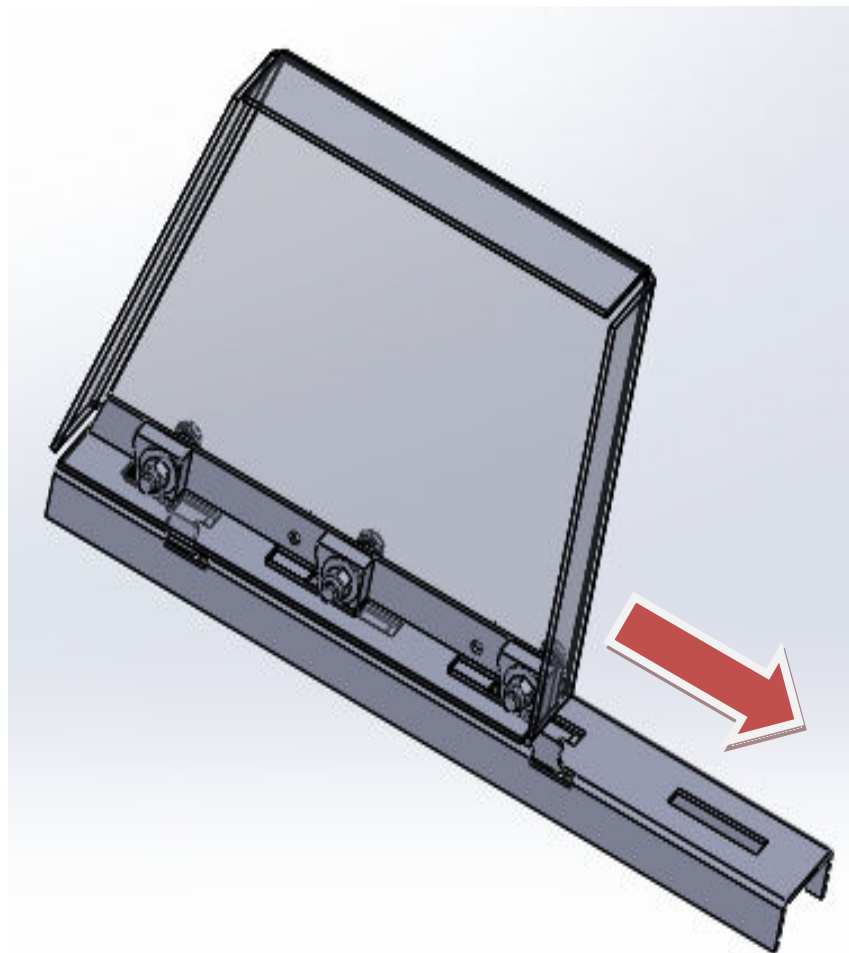
## CamLock SEAT BASE INSTALLATION INSTRUCTIONS

Lower Seat Base on to AbiliTrax so that rear facing Latch Hooks pass through openings in track



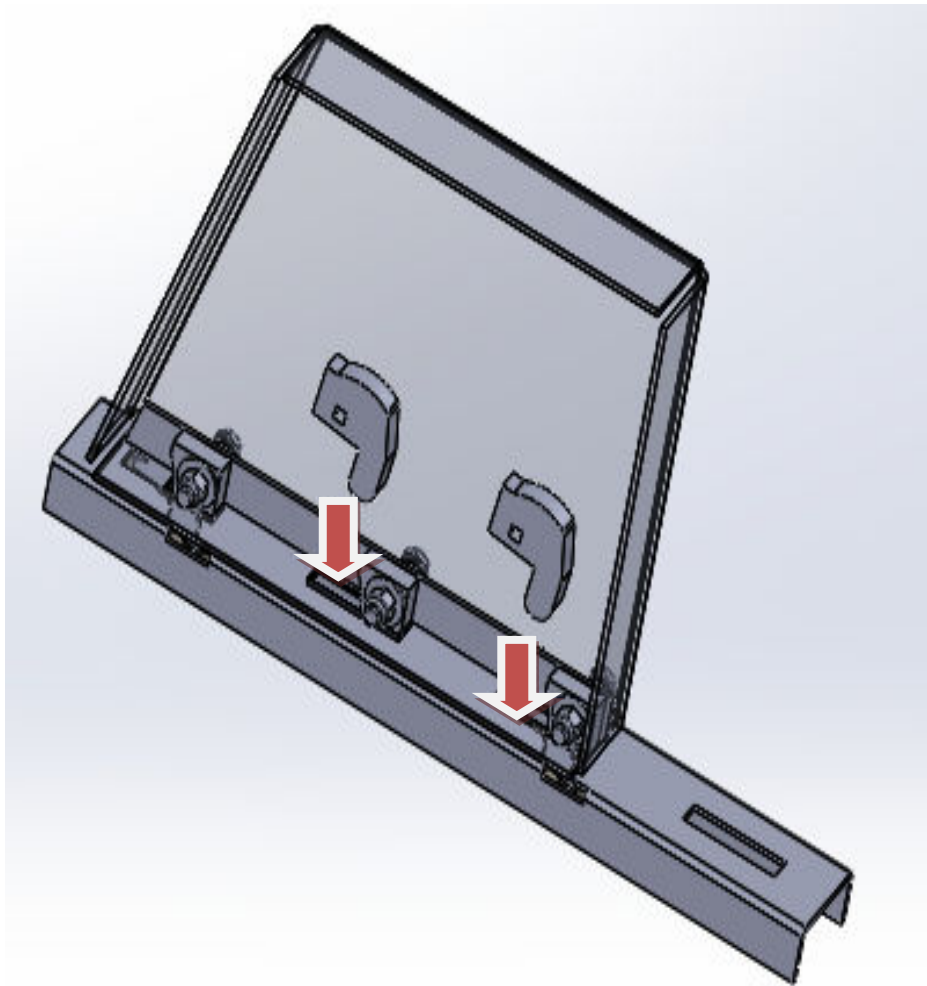


Slide Seat Base Backward until Latch Hooks are fully engaged into track. It may be necessary to use a rubber mallet to drive the seat base fully back and /or slightly loosen the bolts which secure the Latch Hooks to accomplish this.



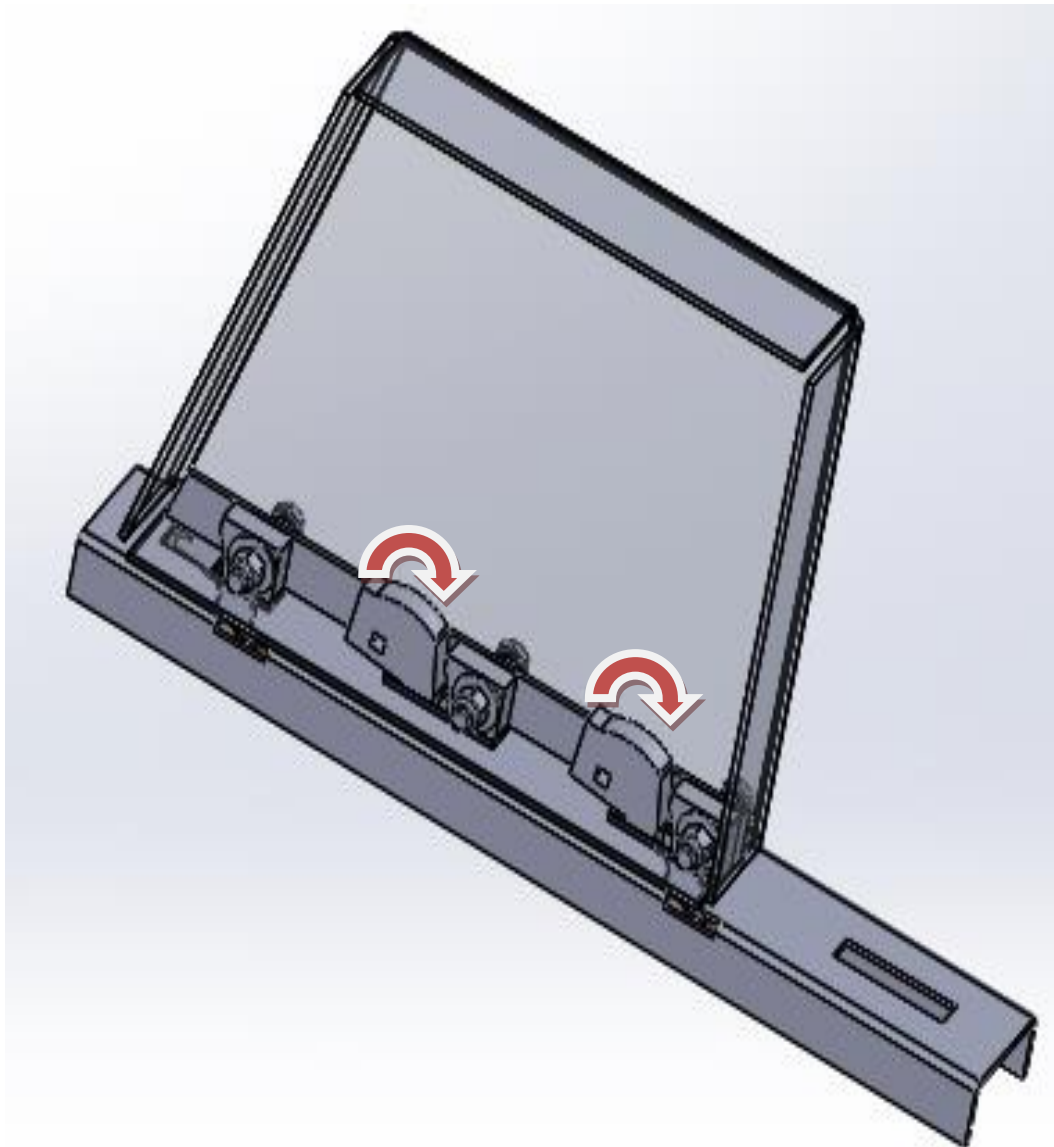


Install forward facing Lock Hooks into openings as shown.



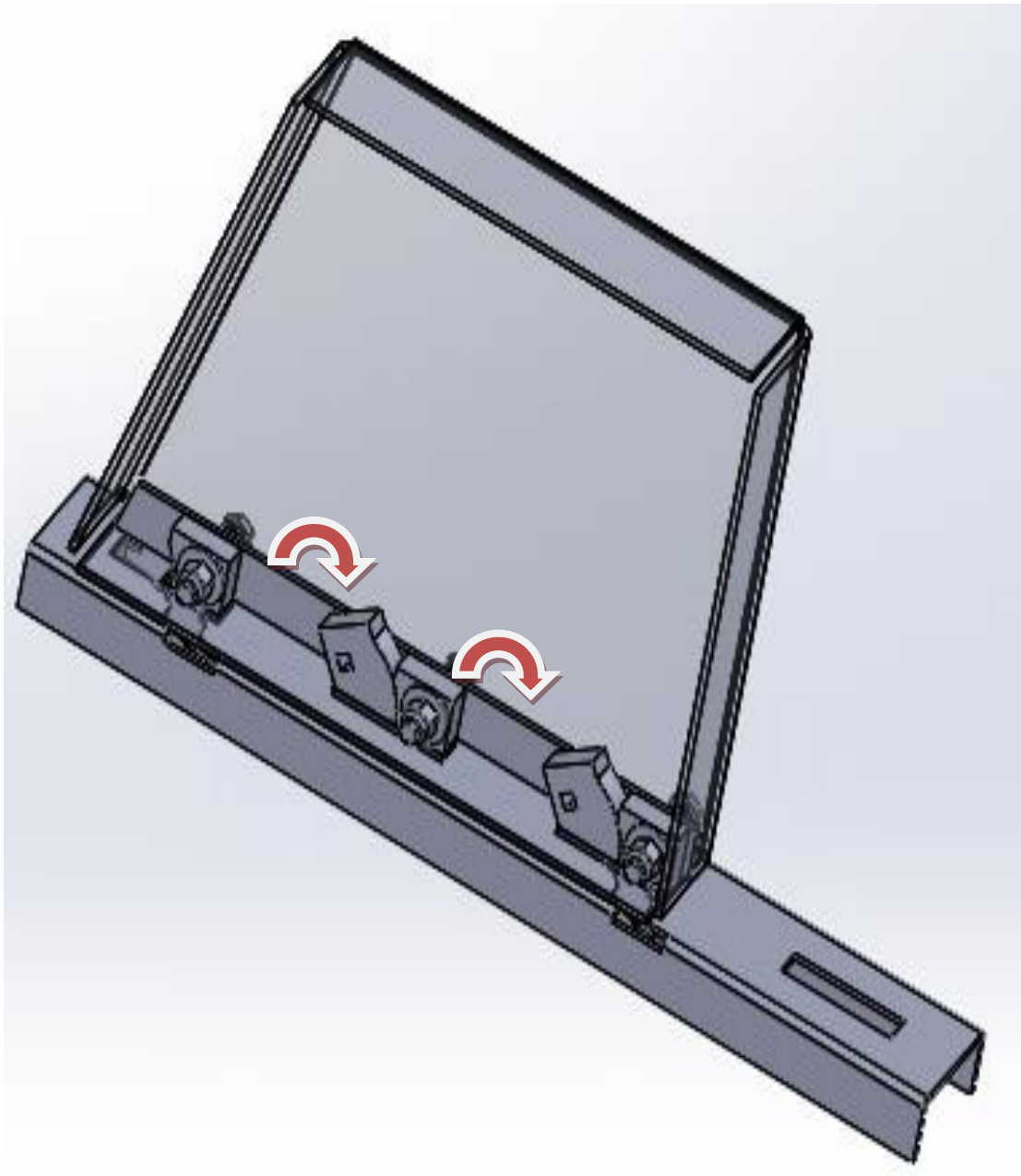


Rotate Lock Hooks 90 degrees. “Flats” are provided at the top of the Forward Facing Hooks so that a  $\frac{3}{4}$ ” wrench may be used to assist in rotation. The Seat base must be fully back to accomplish this. In some cases it may also be necessary to loosen the hardware on the Rear Latch Hooks as well.



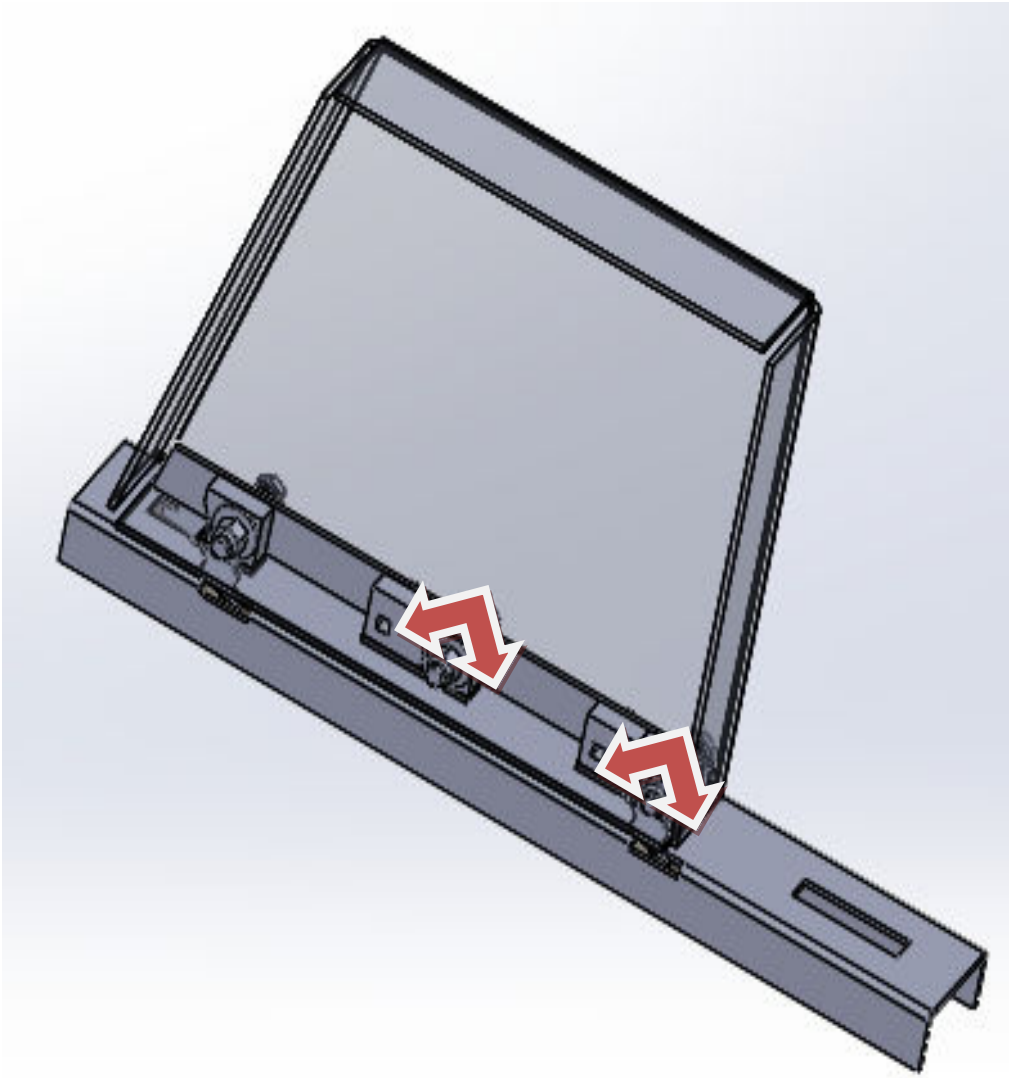


Continue rotating Lock Hooks until flat tops are flush with flat tops on Latch Hooks.



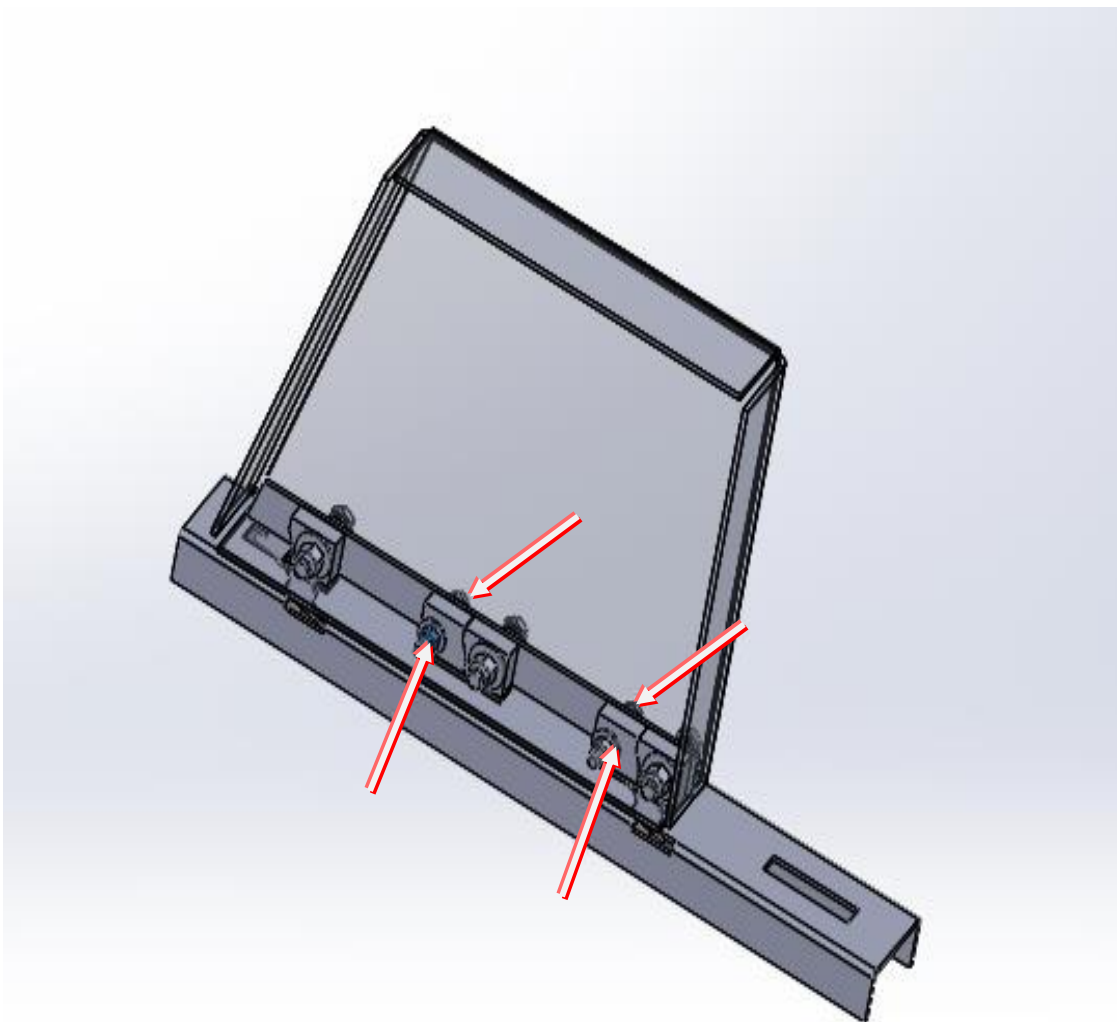


NOTE - Flat tops of Latch Hooks are flush and parallel.





Once all Front Facing Latch Hooks are fully rotated into position, Install all remaining hardware and tighten to 18 Ft./Lbs. Torque



**CAUTION** – Seats MUST ALWAYS be locked into the AbiliTrax tracks and the Lock Hooks MUST ALWAYS be in the LOCKED POSITION and bolted in when a seat is in a vehicle. NEVER move a vehicle with a loose seat. NEVER attempt to occupy a seat which is NOT fully installed AND LOCKED in position. Occupied seats MUST ALWAYS be in the FORWARD FACING POSITION.



