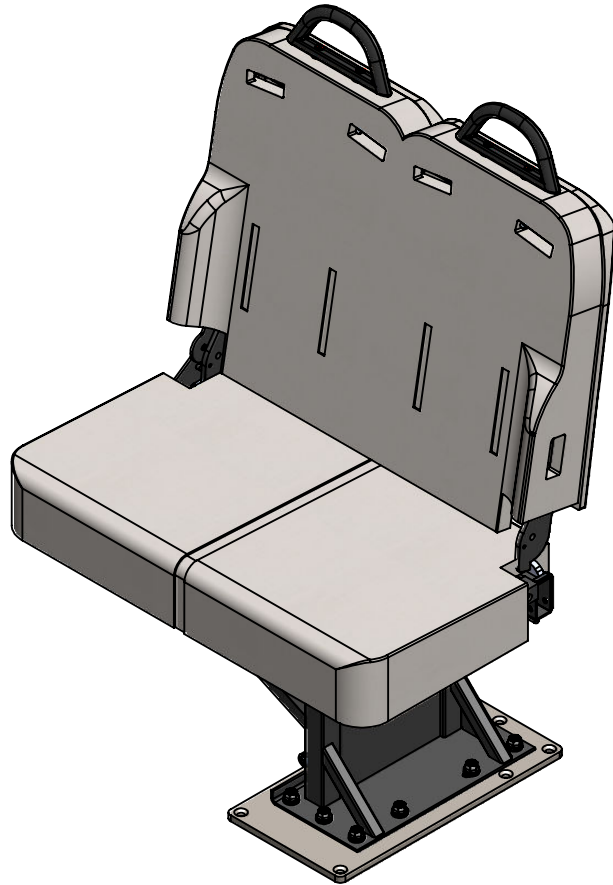
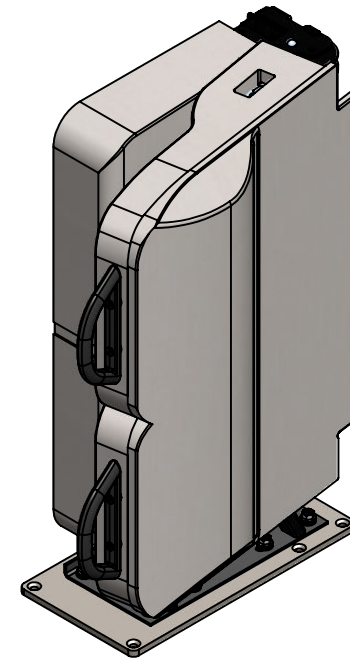


## DEPLOYED POSITION



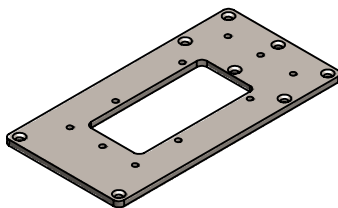
## STOWED POSITION



NOTE: SEAT SHOWN WITHOUT FABRIC OR OPTIONS

NOTE: CAN BE INSTALLED DIRECT TO FACTORY SHEET METAL FLOOR, OR ON TOP OF A SOLID CORE PLYWOOD OR EQUIVALENT. IT CANNOT BE INSTALLED ON TOP OF A FLOOR WITH FOAM UNDERLAYMENT (FORD FACTORY FLOOR)

## FDFAAP



Part Number:

FDFAAP

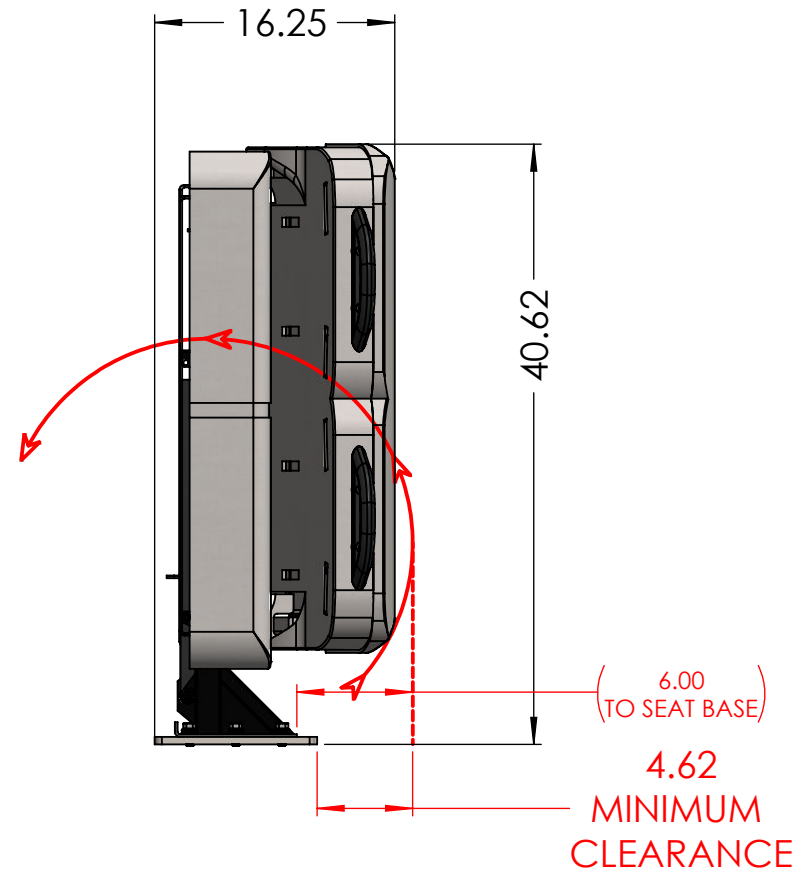
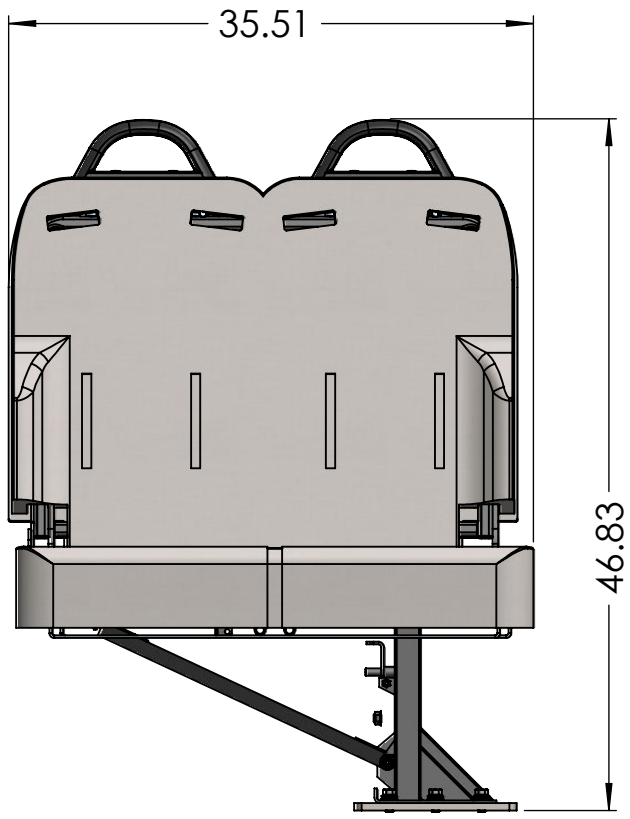
Discription:

DOUBLE FOLDAWAY UNIVERSAL PLATE MOUNT



WEIGHT:

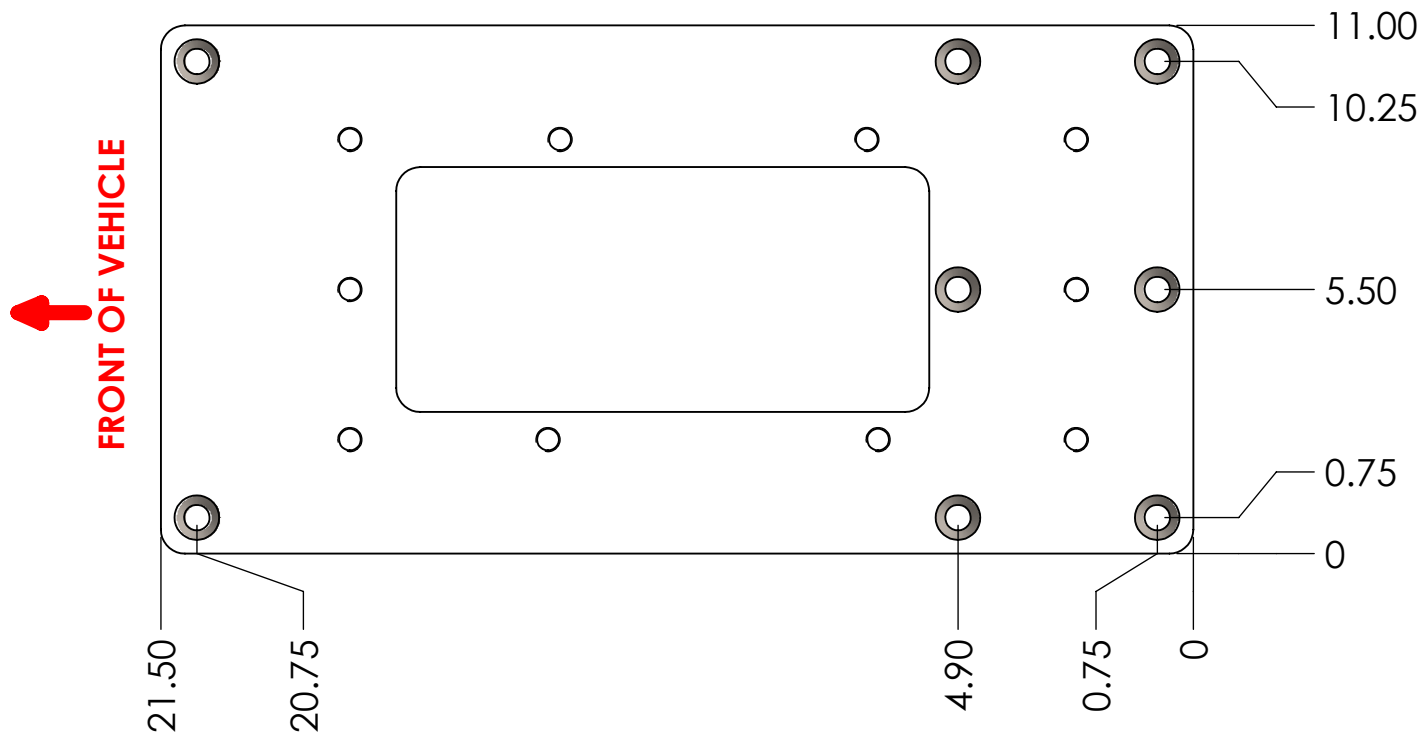
BOX DIM:

SCALE:1:13 SHEET 1 OF 4



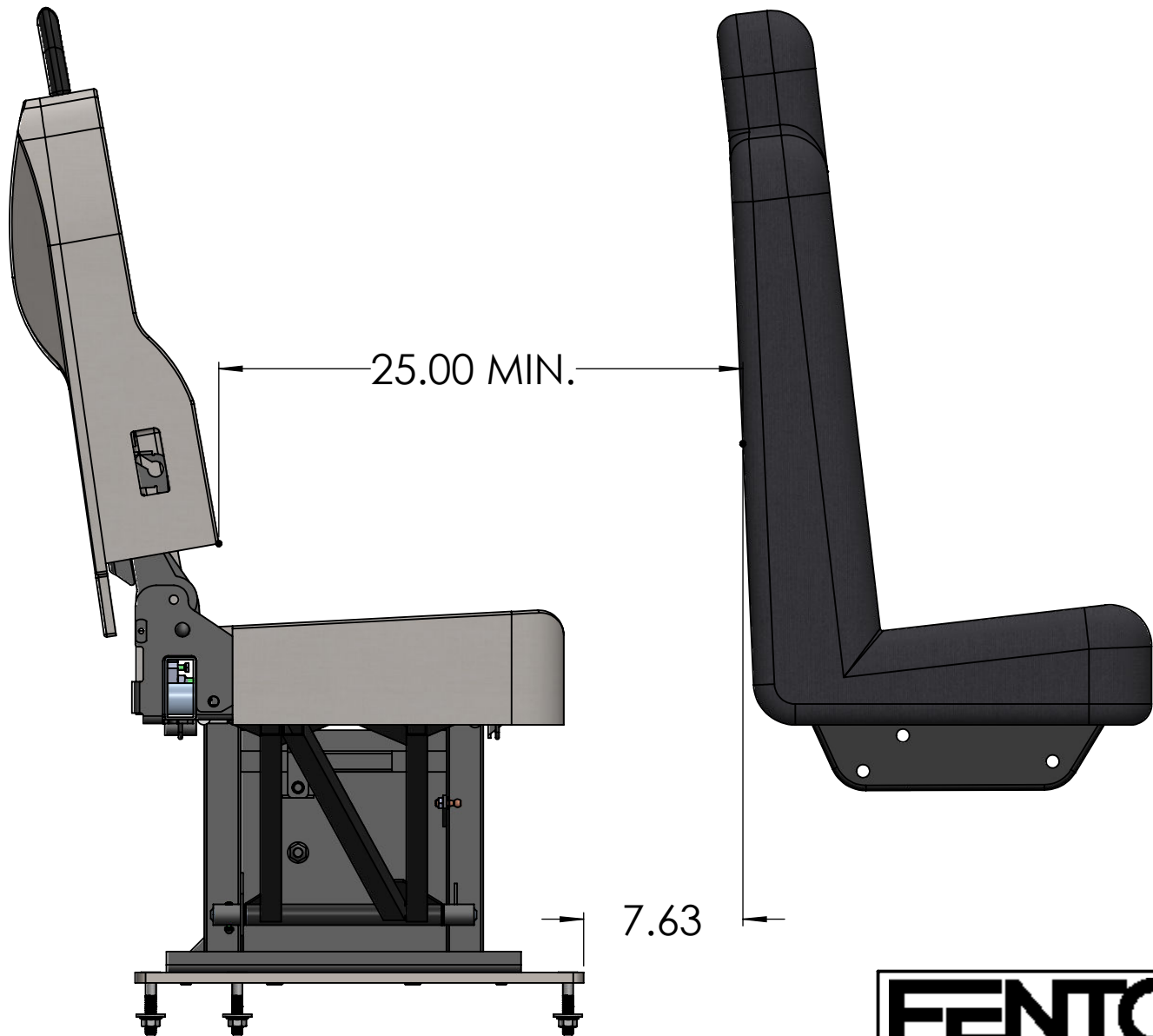
NOTE: IF SEAT IS MOUNTED LESS THAN THE MINIMUM CLEARANCE DISTANCE IT CAN RESULT IN DAMAGE TO THE SEAT FABRIC

 	
Part Number:	FDFAAP
Discription:	DOUBLE FOLDAWAY UNIVERSAL PLATE MOUNT
WEIGHT:	BOX DIM:
SCALE:1:13 SHEET 2 OF 4	



Part Number: **FDFAAP INSTALL**

Discription: **DOUBLE FOLDAWAY UNIVERSAL PLATE MOUNT**



Part Number: **FDFAAP INSTALL**

Discription: **DOUBLE FOLDAWAY UNIVERSAL PLATE MOUNT**