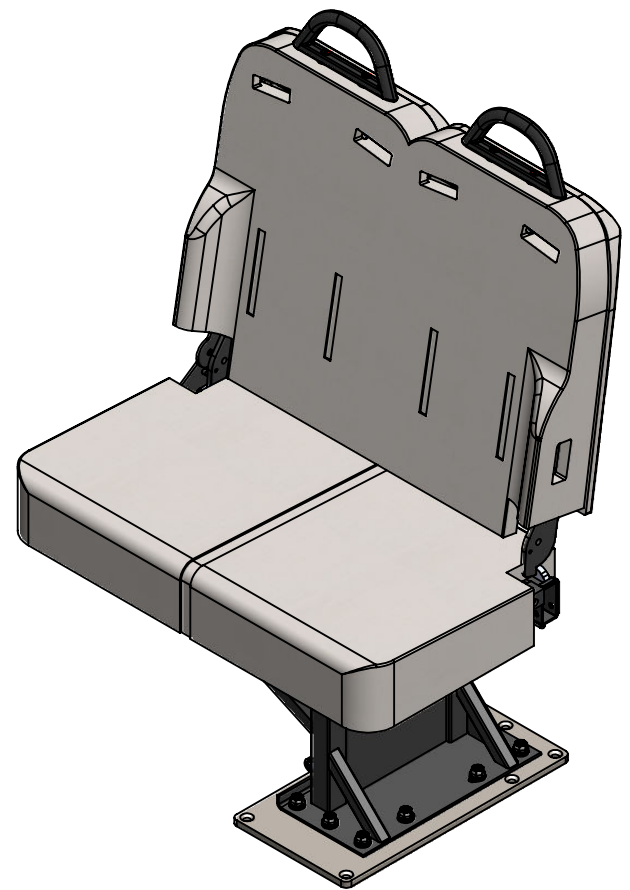
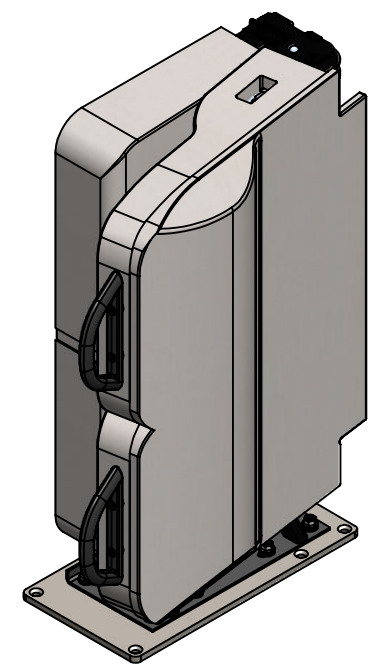


DEPLOYED POSITION



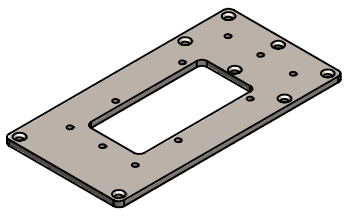
STOWED POSITION





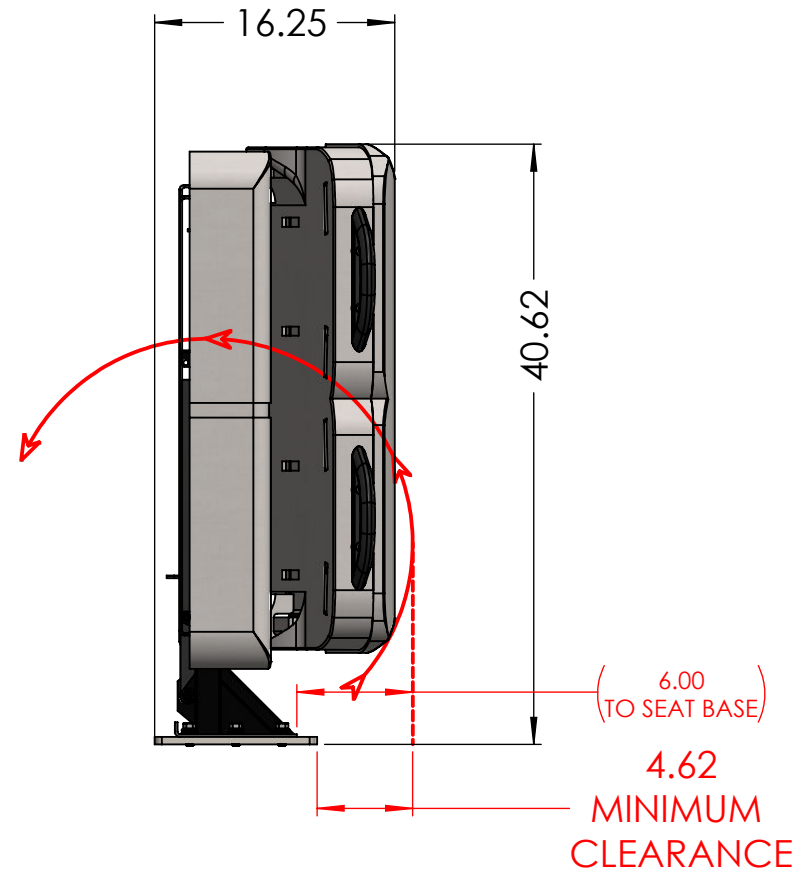
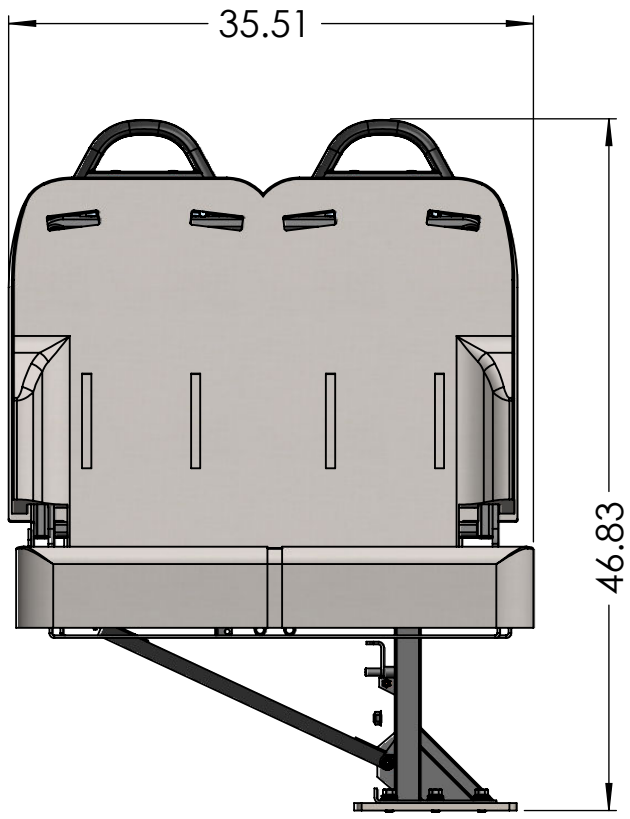
NOTE: SEAT SHOWN WITHOUT FABRIC OR OPTIONS

NOTE: CAN BE INSTALLED DIRECT TO FACTORY SHEET METAL FLOOR, OR ON TOP OF A SOLID CORE PLYWOOD OR EQUIVALENT. IT CANNOT BE INSTALLED ON TOP OF A FLOOR WITH FOAM UNDERLAYMENT (FORD FACTORY FLOOR)



FDFAAP

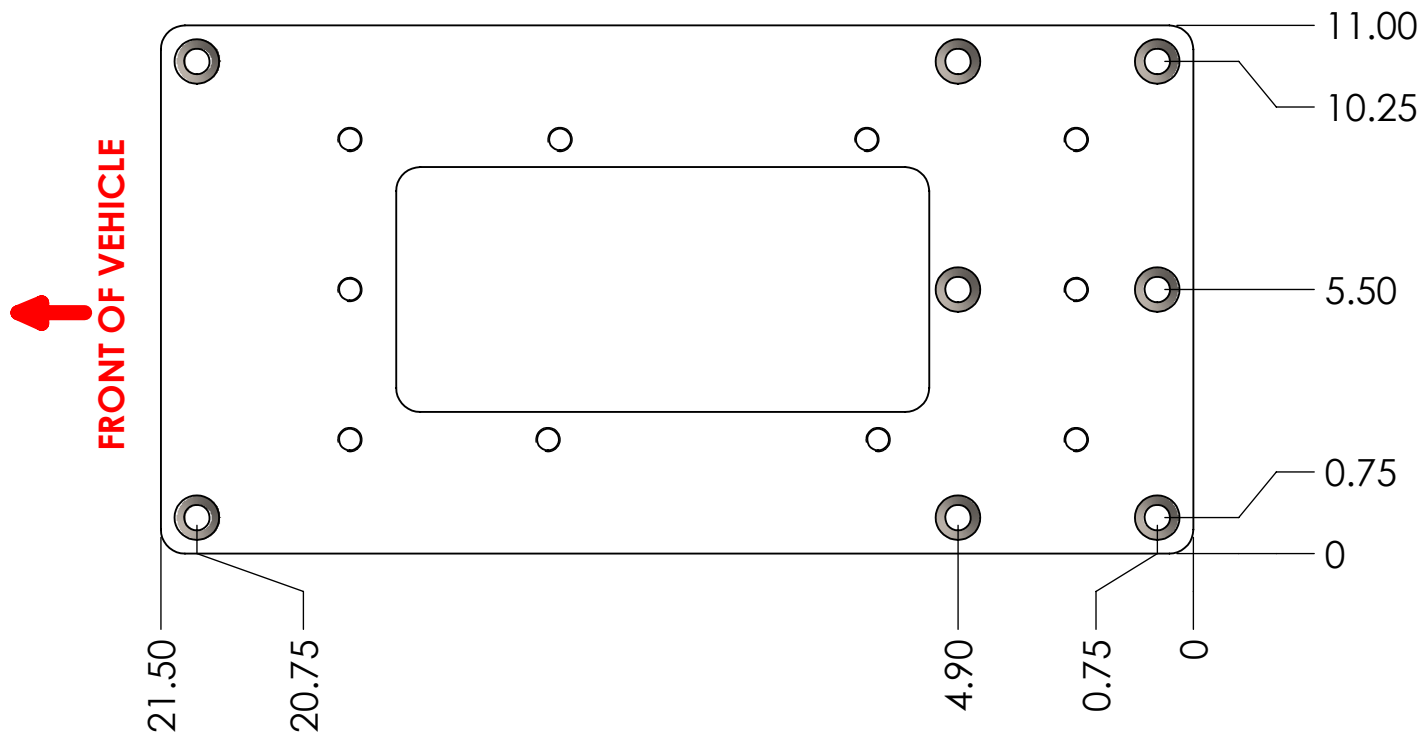


 	
Part Number:	FDFAAP
Discription:	DOUBLE FOLDAWAY UNIVERSAL PLATE MOUNT
WEIGHT:	BOX DIM:
SCALE:1:13 SHEET 1 OF 4	

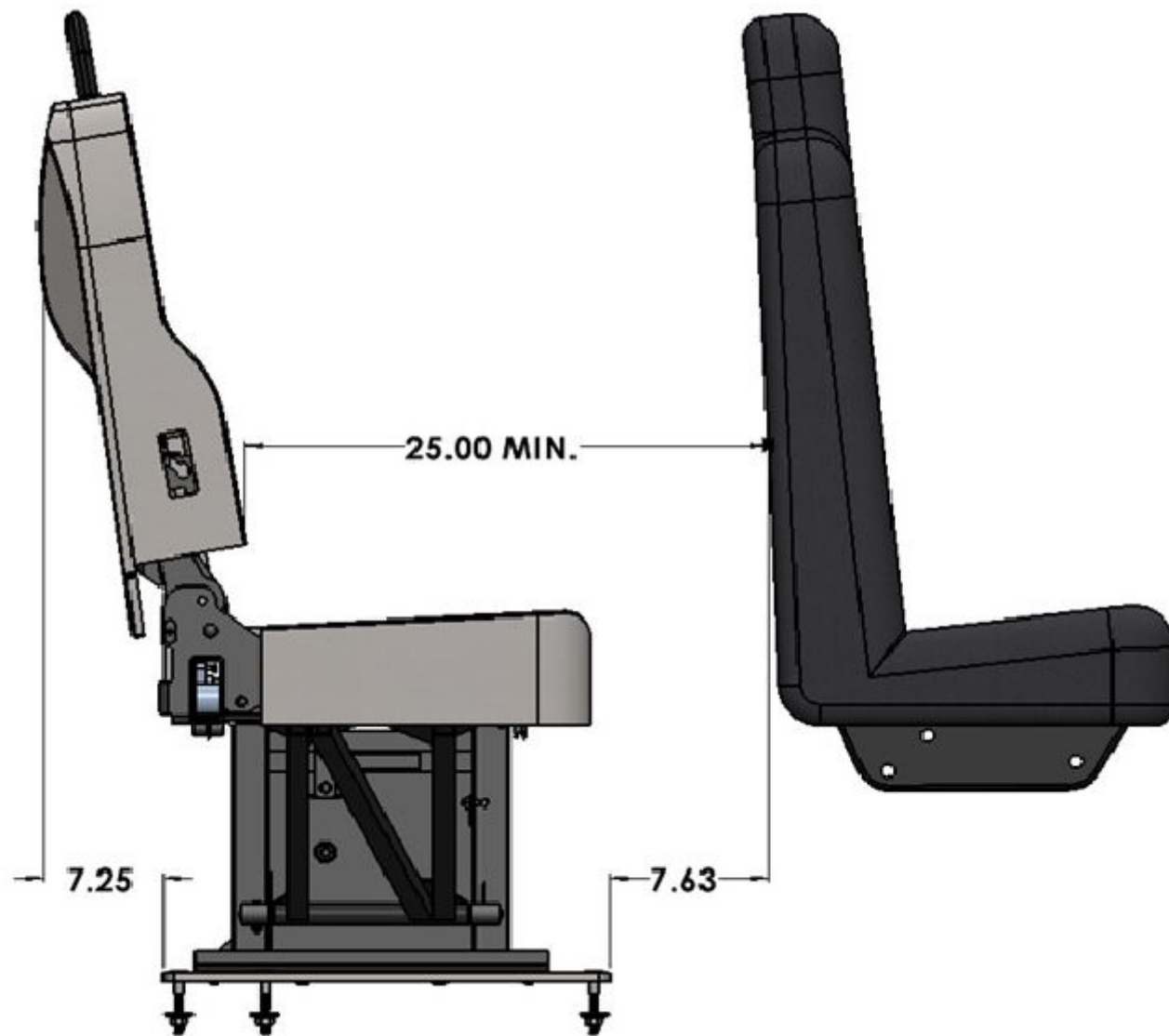


NOTE: IF SEAT IS MOUNTED LESS THAN THE MINIMUM CLEARANCE DISTANCE IT CAN RESULT IN DAMAGE TO THE SEAT FABRIC

 	
Part Number:	FDFAAP
Discription:	DOUBLE FOLDAWAY UNIVERSAL PLATE MOUNT
WEIGHT:	BOX DIM:
SCALE:1:13 SHEET 2 OF 4	



Part Number: FDFAAP INSTALL	
Discription: DOUBLE FOLDAWAY UNIVERSAL PLATE MOUNT	
WEIGHT:	BOX DIM:
SCALE:1:4	SHEET 3 OF 4



Part Number: **FDFAAP INSTALL**

Discription: **DOUBLE FOLDAWAY UNIVERSAL PLATE MOUNT**